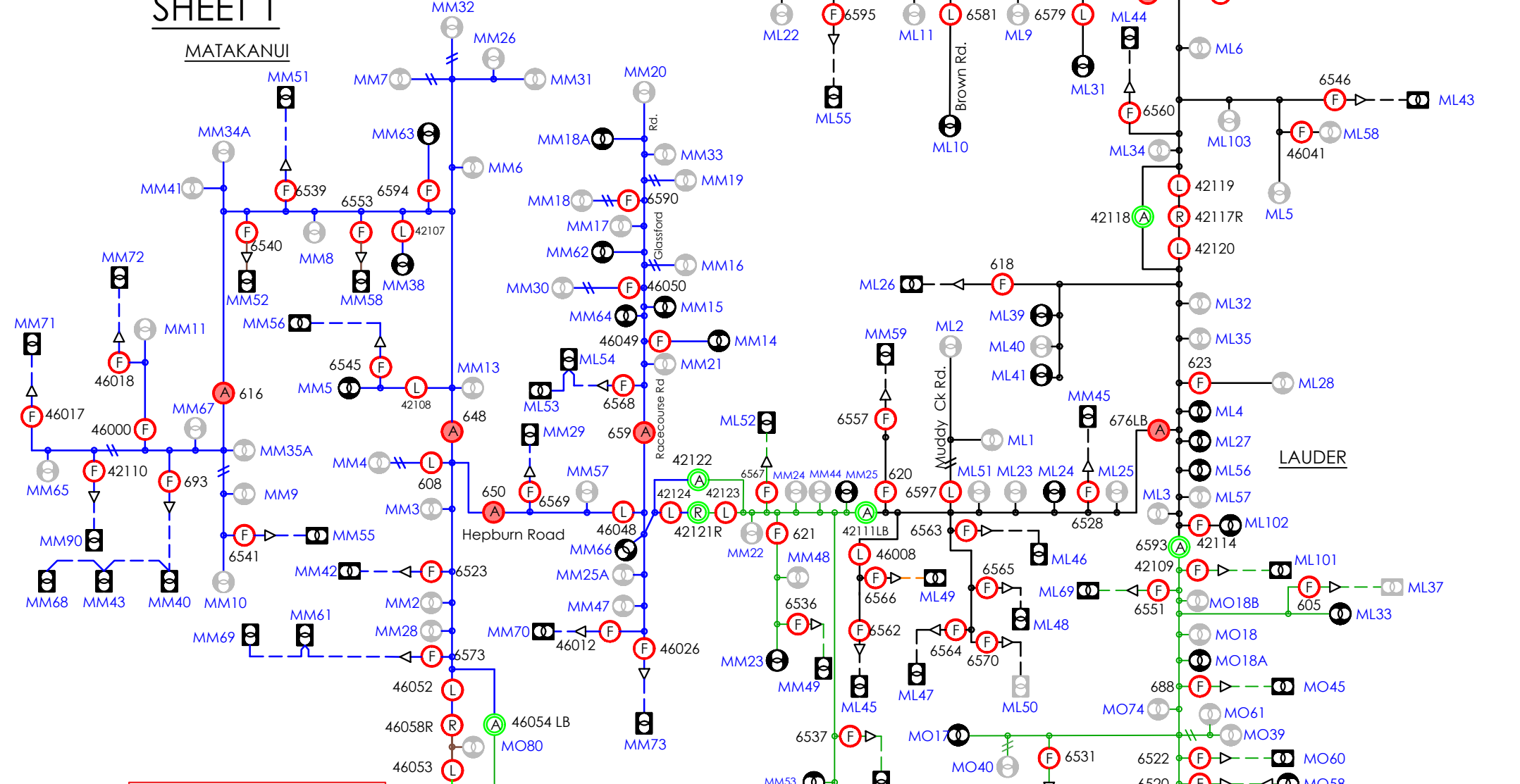


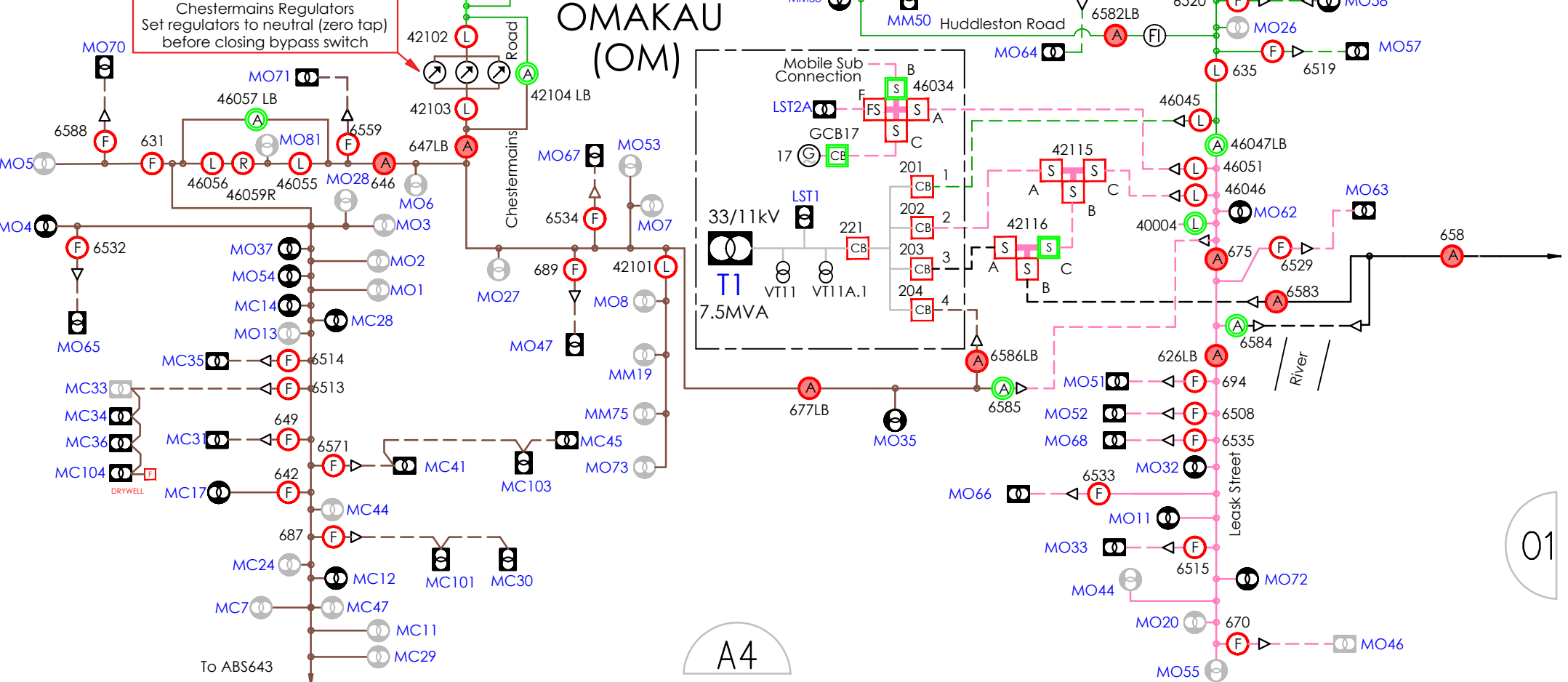
01

3B/03E/05?  
**Issue ACG**  
 22/04/26  
 BY CKD APPD  
 MGB/DCH/DAT  
**OMAKAU 11kV**  
**SHEET 1**



**OMAKAU (OM)**

Chestermains Regulators  
 Set regulators to neutral (zero tap)  
 before closing bypass switch



A4

01

To ABS643